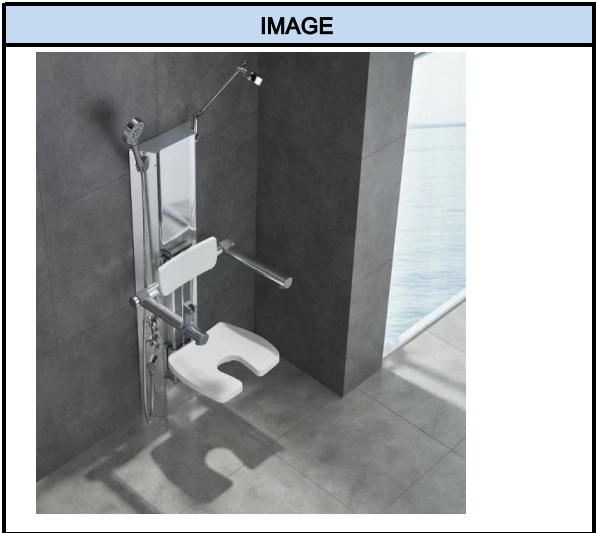




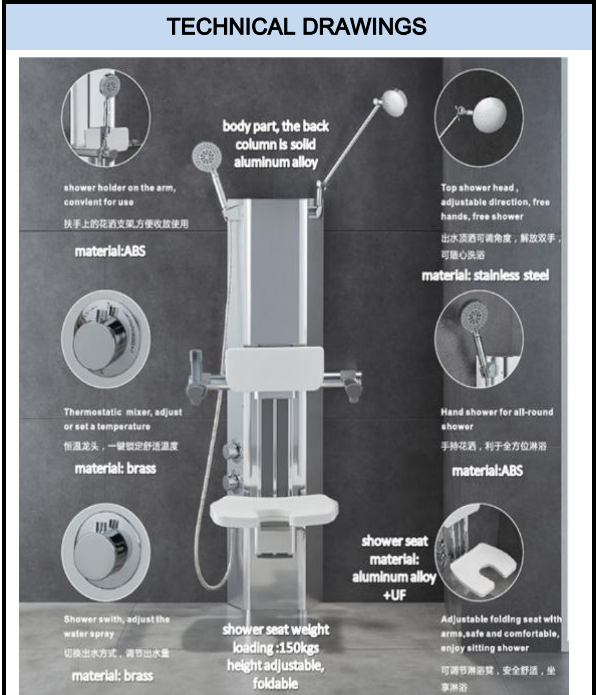
Guangzhou SELAQUA Sanitary Ware Co., Ltd
Jintian Industrial Park, Huadong Town, Huadu District, Guangzhou City, Guangdong Province, China.

Contact: Katie Peng
Sales Manager
M: +86 18620266308
E: katie@aicubecare.com

| PRODUCT DETAILS | |
|-----------------|--|
| Type | Thermostatic shower panel with shower seat |
| Item Code | SH-420 |
| Range | Bathroom Accessories |
| Materials | 1. The shower seat is constructed with super solid aluminum fixing bracket and super quality UF plastic. 2. The arms and backrest are made in high quality UF plastic and assembled in solid aluminum rack. 3. The end is capped with TPE plastic. 4. The fixing kits and fasteners are made of stainless steel. 5. The shower column is made of solid aluminum alloy. |
| Finish | Bright Chrome |

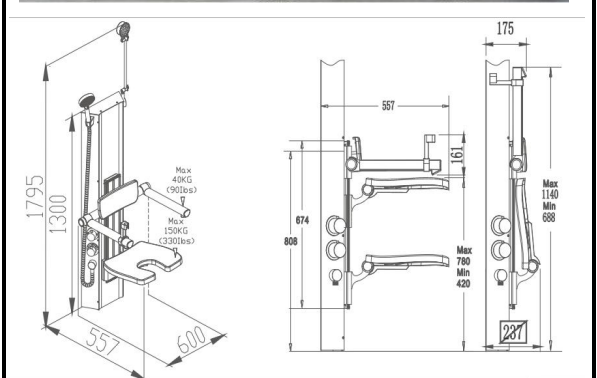


| Technical Details and Descriptions: | |
|---|--|
| 1. ABS shower holder on the arm, convient for use. 2. Brass thermostatic mixer. adjust or set a temperature 3. Brass shower swith, adjust the water spray 4. Stainless steel top shower head, adjustable direction, free hands, free shower 5. ABS hand shower for all-round shower 6. Aluminum alloy +UF seat ,The seat and backrest armrests can be adjusted up and down and can be folded to save space, safe and comfortable, enjoy sitting shower. weight load 150KGS 7. The U-notch hole design in the middle of the seat is convenient for the elderly to clean their lower body while sitting. The seat is with hydraulic damper kits making it soft open and anti-slip because of mat surface of seat 8. Aluminum back panel can perfectly cover the faucet outlet or any marks on the old wall | |



| Standard and Warranty | |
|-----------------------|--|
| Standard | ISO17966:2016 |
| Warranty | Expected service life of the shower seat is 10 years, provided that maintenance is carried out correctly. We makes a commitment to remedy material and manufacturing defects for a period of 3 years from the invoicing date |

| Cleanning and Care Guide | |
|---|--|
| 1. The product is to be cleaned with hot water or a mild soapy cleaning agent. 2. We recommend that chalky deposits be removed from aluminum parts using a solution of 3:7 acetic acid: tap water. When the aluminum parts have been washed down with this solution, the parts must be wiped over with a damp cloth, wrung out in clear water. The product must be wiped down with a soft rag wrung out in clear water immediately after cleaning, as some materials may otherwise be discolored and stained, and the surface coating may deteriorate. Warm Note: Do not use chlorine based, corrosive or abrasive cleaners as it may result in the surface being damaged. | |



Full set with 2 carton box:
 1. Aluminum back panel parts in one box: 141x46x17.5cm 16.7kgs
 2. Shower seat&arms in one box, 79x68x17.5cm. 12kgs